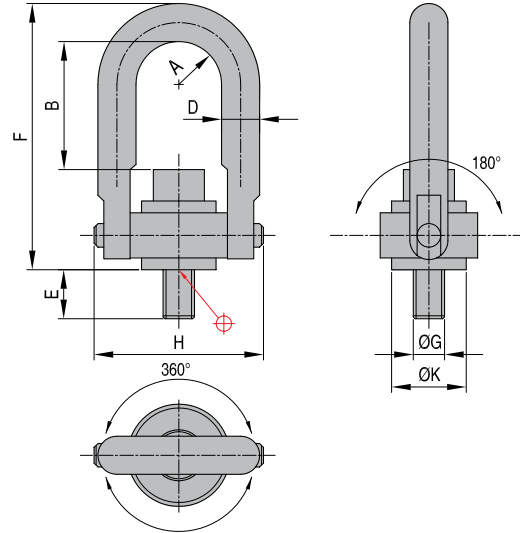


# SAFETY HOIST RINGS

## SHM - SHMR Hoist rings - CE



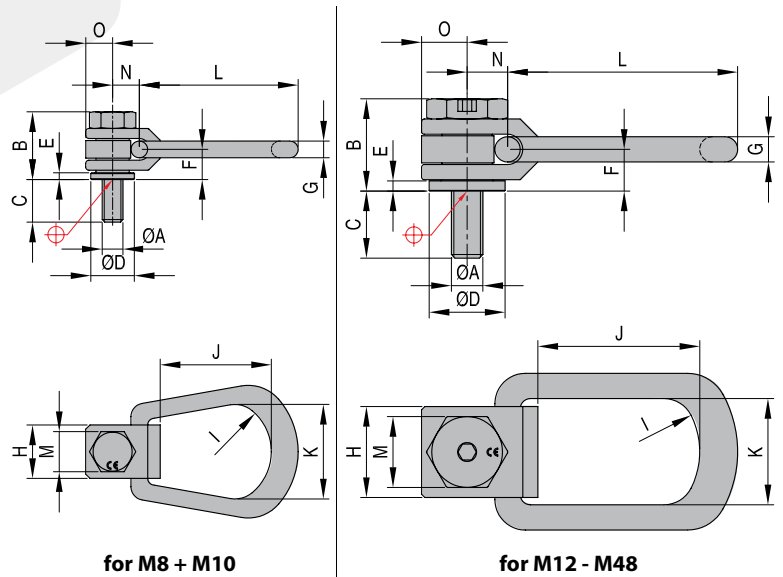
REF	G	A	B	D	E	F	H	K	TL (Kgm)	P (Kg)	W (Kg)
SHM 0001	M8x1,25	10,9	32,0	9,7	12,5	67,8	46,7	19,0	1,0	400	0,17
SHM 0002	M10x1,50	10,9	30,0	9,7	17,5	67,8	46,7	19,0	1,7	450	0,17
SHM 0003	M12x1,75	22,4	60,5	19,0	19,0	121,4	89,4	38,1	3,8	1050	1,08
SHM 0004	M16x2,00	22,4	56,5	29,0	29,0	121,4	89,4	38,1	8,2	1900	1,12
SHM 0005	M20x2,50	22,4	52,5	34,0	34,0	121,4	89,4	38,1	13,6	2150	1,19
SHM 0006	M24x3,00	35,6	69,0	37,0	37,0	165,6	130,6	58,7	31,0	4200	3,10
SHM 0007	M30x3,50	44,5	107,4	41,9	41,9	221,7	165,1	81,0	60,0	7000	6,30
SHM 0009	M36x4,00	57,2	166,5	63,5	63,5	316,7	217,2	106,4	100,0	11000	15,50
SHM 0010	M42x4,50	57,2	160,5	68,0	68,0	316,7	217,2	106,4	100,0	12500	16,00
SHM 0011	M48x5,00	57,2	154,5	82,4	82,4	316,7	217,2	106,4	100,0	13500	16,80
SHM 0012	M64x6,00	76,2	210,0	101,6	101,6	419,1	297,6	146,0	290,0	22500	40,00
<b>Spare parts</b>											
REF	G										
SHMR 0001	M8x1,25										
SHMR 0002	M10x1,50										
SHMR 0003	M12x1,75										
SHMR 0004	M16x2,00										
SHMR 0005	M20x2,50										
SHMR 0006	M24x3,00										
SHMR 0007	M30x3,50										
SHMR 0009	M36x4,00										
SHMR 0010	M42x4,50										
SHMR 0011	M48x5,00										
SHMR 0012	M64x6,00										

### Features

- Pivots and swivels to compensate for pitch, roll and sway when lifting heavy or unbalanced loads.
- High strength alloy steel with minimum tensile strenght of 1,250 MPa (125 kg/mm<sup>2</sup>)
- Certified heat treatment with 100% Magnaflux inspection.
- Corrosion resistant plating.
- Maximum operating temperature 200°C
- Safety factor is 5 times the rated load in any direction.

### Note

- standard tolerance: ±0,8 mm
- E=the use of spacers between bushing flange and mounting surface is not recommended as this will reduce the safety load rating.
- TL=recommended torque load +25% - 0.
- P=rated
- W=weight

**SHSP** Side pull hoist rings - CE


REF	P (Kg)	A	B	C	D	E	F	G	H	I	J	K	L	M	N	O	TL
SHSP-0001	325	M8x1,25	33	16	21	3	14	8	25	25	25	44	76	19	13	13	5
SHSP-0002	500	M10x1,5	33	20	21	3	14	8	25	25	25	44	76	19	13	13	10
SHSP-0003	725	M12x1,75	48	24	35	4	21	13	44	38	86	51	120	32	19	22	20
SHSP-0004	1400	M16x2	48	32	48	4	21	13	44	38	86	51	120	32	19	22	40
SHSP-0005	2290	M20x2,5	59	40	48	6	26	16	57	51	102	67	145	44	25	29	70
SHSP-0006	3050	M24x3	59	48	83	6	26	16	57	51	102	67	145	44	25	29	140
SHSP-0007	4850	M30x3,5	90	60	83	9	42	27	95	76	196	111	265	76	49	48	350
SHSP-0009	7500	M36x4	90	72	83	9	42	27	95	76	196	111	265	76	49	48	550
SHSP-0010	8700	M42x4,5	90	84	83	9	42	27	95	76	196	111	265	76	49	48	800
SHSP-0011	10000	M48x5	90	96	83	9	42	27	95	76	196	111	265	76	49	48	1200

**Features**

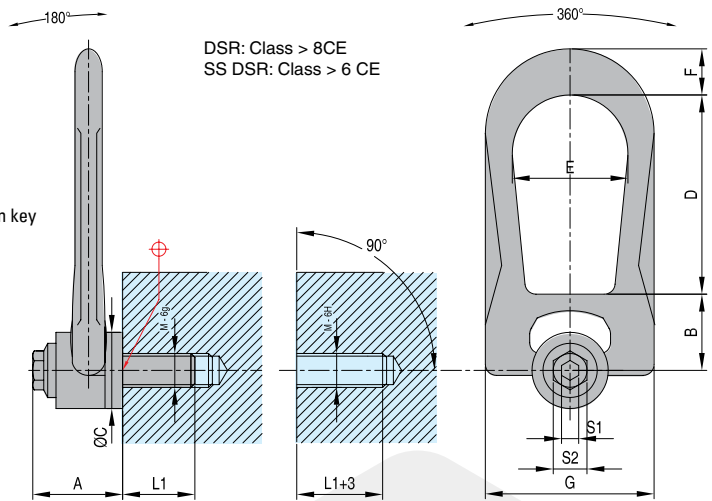
For lifting molds, tools and dies. Full swivel and pivot action flip and turn parts without unhooking. 200% proof tested. Safety factor is 5 times the rated load capacity. High quality alloy steel, finish black oxide. TL=recommended torque load +25% - 0.

**DSR - SS DSR** Double swivel ring


\*Non standard

- Two free articulations
- Very low overhang for improved safety
- Automatic realignment of the ring when in traction 90°
- Large support surface for a very high Resistance
- Two ways of tightening: either by open-ended spanner, or by allen key
- Improved stability with DSR C through centering section

P= max load in Newton  
 SF=safety factor  
 KT= chain classification number  
 TL= recommended tightening torque in NewtonMetre



REF	P	SF	KT	M	TL	L1	S1	S2	A	B	C	D	E	F	G
DSR M 8	3000	5	4	M 8 (x1,25)	6	14	8	16	33	30	30	38	27	14	53
DSR M 10	6000	5	5	M 10 (x1,50)	10	17	8	16	33	30	30	38	27	14	53
DSR M 12	10000	5	6	M 12 (x1,75)	15	21	8	16	33	30	30	38	27	14	53
DSR M 14*	13000	5	6	M 14 (x2)	30	23	8	20	45	42	45	54	38	17	76
DSR M 16	16000	5	7	M 16 (x2)	50	27	8	20	45	42	45	54	38	17	76
DSR M 18*	20000	5	7	M 18 (x2,5)	70	27	8	20	45	42	45	54	38	17	76
DSR M 20	25000	5	9	M 20 (x2,5)	100	30	8	20	45	42	45	54	38	17	76
DSR M 22*	30000	5	9	M 22 (x2,5)	120	33	14	24	62	55	60	83	55	25	107
DSR M 24	40000	5	11	M 24 (x3)	160	36	14	24	62	55	60	83	55	25	107
DSR M 27*	50000	5	13	M 27 (x3)	160	40	14	24	62	55	60	83	55	25	107
DSR M 30	63000	5	14	M 30 (x3,5)	250	45	14	24	62	55	60	83	55	25	107

REF	P	SF	KT	M	TL	L1	S1	S2	A	B	C	D	E	F	G
SS DSR 6 M 8	3000	5	4	M 8 (x1,25)	6	16	6		32	30	30	39	28	13	53
SS DSR 13 M 8	3000	5	4	M 8 (x1,25)	6	16		13	30	30	30	39	28	13	53
SS DSR 8 M 10	5000	5	5	M 10 (x1,50)	10	16	8		34	30	30	39	28	13	53
SS DSR 17 M 10	5000	5	5	M 10 (x1,50)	10	16		17	31	30	30	39	28	13	53
SS DSR 10 M 12	8000	5	6	M 12 (x1,75)	15	19	10		33	30	30	39	28	13	53
SS DSR 19 M 12	8000	5	6	M 12 (x1,75)	15	19		19	30	30	30	39	28	13	53
SS DSR 24 M 16	15000	5	7	M 16 (x2)	50	26		24	44	40	42	54	38	17	77
SS DSR 30 M 20	16000	5	7	M 20 (x2,5)	100	30		30	43	40	42	54	38	17	77



# MILACRON®

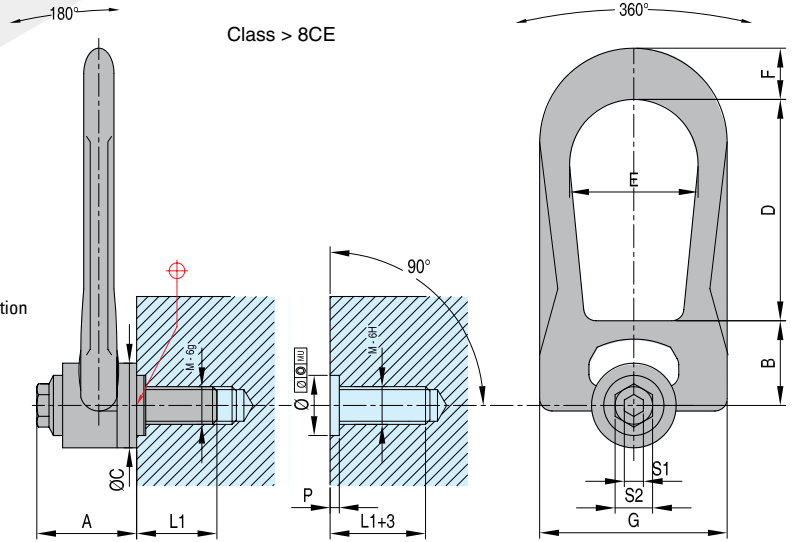
## DSRC Double swivel ring with centering



\*Non standard

- Two free articulations
- Low overhang designed for total safety
- Improved stability with DSS C through centering section
- Perfectly symmetrical
- Screwing with allen key
- From M 33 to M 64 as standard; for loads 6.3 to 32.1 t
- High tensile

P= max load in Newton  
 SF=safety factor  
 KT= chain classification number  
 TL= recommended tightening torque in NewtonMetre



REF	P	SF	KT	M/σ	TL/Nm	L1	S1	S2	A	B	C	D	E	F	G	P
DSRC M 8	3000	5	4	16 0/+0,25	6	14	8	16	33	30	30	38	27	14	53	3 +0,5/+1
DSRC M 10	6000	5	5	20 0/+0,25	10	17	8	16	33	30	30	38	27	14	53	3 +0,5/+1
DSRC M 12	10000	5	6	20 0/+0,25	15	21	8	16	33	30	30	38	27	14	53	3 +0,5/+1
DSRC M 14*	13000	5	6	20 0/+0,25	30	23	8	20	45	42	45	54	38	17	76	3 +0,5/+1
DSRC M 16	16000	5	7	20 0/+0,25	50	27	8	20	45	42	45	54	38	17	76	3 +0,5/+1
DSRC M 18*	20000	5	7	30 0/+0,30	70	27	8	20	45	42	45	54	38	17	76	3 +0,5/+1
DSRC M 20	25000	5	9	30 0/+0,30	100	30	8	20	45	42	45	54	38	17	76	3 +0,5/+1
DSRC M 22*	30000	5	9	30 0/+0,30	120	33	14	24	62	55	60	83	55	25	107	4 +0,5/+1
DSRC M 24	40000	5	11	30 0/+0,30	160	36	14	24	62	55	60	83	55	25	107	4 +0,5/+1
DSRC M 27*	50000	5	13	36 0/+0,30	160	40	14	24	62	55	60	83	55	25	107	4 +0,5/+1
DSRC M 30	63000	5	14	36 0/+0,30	250	45	14	24	62	55	60	83	55	25	107	4 +0,5/+1

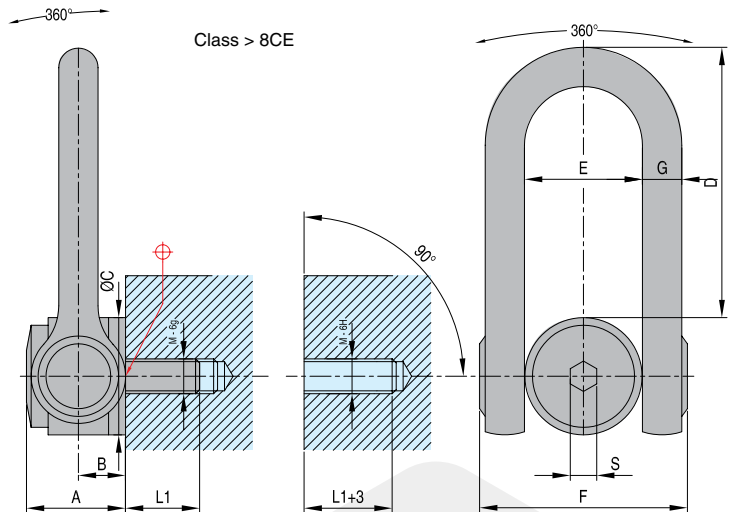
## DSS Double swivel shackle



\*Non standard

- Two free articulations
- Low overhang designed for total safety
- Improved stability with DSS C through centering section
- Perfectly symmetrical
- Screwing with allen key
- From M 33 to M 64 as standard; for loads 6.3 to 32.1 t
- High tensile

P= max load in Newton  
 SF=safety factor  
 KT= chain classification number  
 TL= recommended tightening torque in NewtonMetre



REF	P	S.F.	KT	M/σ	TL/Nm	L1	S	A	B	C	D	E	F	G
DSS M 33*	80000	5	14	M 33 (x3,5)	250	50	19	61	31	70	104	73	145	29
DSS M 36	100000	5	18	M 36 (x4)	320	54	19	61	31	70	104	73	145	29
DSS M 36x3*	100000	5	18	M 36 (x3)	320	54	19	61	31	70	104	73	145	29
DSS M 39*	100000	5	18	M 39 (x4)	320	54	19	61	31	70	104	73	145	29
DSS M 42	125000	5	20	M 42 (x4,5)	400	63	19	61	31	70	104	73	145	29
DSS M 42x3*	125000	5	20	M 42 (x3)	400	63	19	61	31	70	104	73	145	29
DSS M 45*	150000	4	22	M 45 (x4,5)	400	63	19	61	31	70	104	73	145	29
DSS M 48	200000	4	26	M 48 (x5)	600	68	19	79	38	90	125	91	184	33
DSS M 48x3*	200000	4	26	M 48 (x3)	600	68	19	79	38	90	125	91	184	33
DSS M 48x4*	200000	4	26	M 48 (x4)	600	68	19	79	38	90	125	91	184	33
DSS M 52*	200000	4	26	M 52 (x5)	600	68	19	79	38	90	125	91	184	33
DSS M 56	250000	4	28	M 56 (x5,5)	600	78	19	79	38	90	125	91	184	33
DSS M 56x4*	250000	4	28	M 56 (x4)	600	78	19	79	38	90	125	91	184	33
DSS M 64	321000	4	36	M 64 (x6)	600	90	19	79	38	95	125	91	184	33
DSS M 64x4*	321000	4	36	M 64 (x4)	600	90	19	79	38	95	125	91	184	33
DSS M 72*	321000	4	36	M 72 (x6)	600	90	19	79	38	95	125	91	184	33
DSS M 72x4*	321000	4	36	M 72 (x4)	600	90	19	79	38	95	125	91	184	33
DSS M 80*	321000	4	36	M 80 (x6)	600	90	19	79	38	95	125	91	184	33
DSS M 100*	321000	4	36	M 100 (x6)	600	90	19	79	38	95	125	91	184	33



# MILACRON®

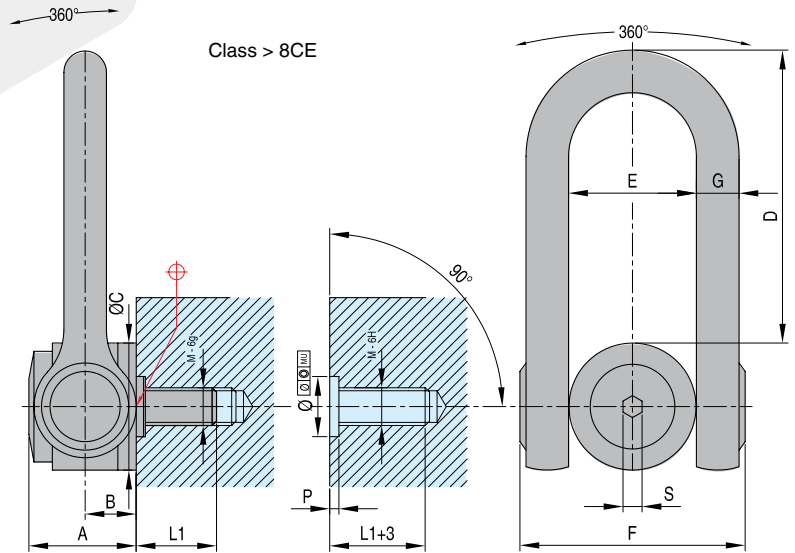
## DSSC Double swivel shackle with centering



\*Non standard

- Improvement: The hook does not scrape the tool when in traction at 90°
- Three free articulations
- Very low overhang designed for total safety
- Perfectly symmetrical
- Two ways of tightening: either by open-ended spanner, or by allen key for total quality
- Improved stability with TSR C through centering section
- High tensile

P= max load in Newton  
 SF=safety factor  
 KT= chain classification number  
 TL= recommended tightening torque in NewtonMetre



REF	P	S.F.	KT	M/σ	TL/Nm	L	S	A	B	C	D	E	F	G	P
DSSC M 33*	8000	5	14	48 +0,10/+0,30	250	50	19	61	31	70	104	73	145	29	6 +0,5/+1
DSSC M 36	10000	5	18	48 +0,10/+0,30	320	54	19	61	31	70	104	73	145	29	6 +0,5/+1
DSSC M 36x3*	10000	5	18	48 +0,10/+0,30	320	54	19	61	31	70	104	73	145	29	6 +0,5/+1
DSSC M 39*	10000	5	18	48 +0,10/+0,30	320	54	19	61	31	70	104	73	145	29	6 +0,5/+1
DSSC M 42	12500	5	20	48 +0,10/+0,30	400	63	19	61	31	70	104	73	145	29	6 +0,5/+1
DSSC M 42x3*	12500	5	20	48 +0,10/+0,30	400	63	19	61	31	70	104	73	145	29	6 +0,5/+1
DSSC M 45*	15000	4	22	48 +0,10/+0,30	400	63	19	61	31	70	104	73	145	29	8 +0,5/+1
DSSC M 48	20000	4	26	64 +0,60/+0,10	600	68	19	79	38	90	125	91	184	33	8 +0,5/+1
DSSC M 48x3*	20000	4	26	64 +0,60/+0,10	600	68	19	79	38	90	125	91	184	33	8 +0,5/+1
DSSC M 48x4*	20000	4	26	64 +0,60/+0,10	600	68	19	79	38	90	125	91	184	33	8 +0,5/+1
DSSC M 52*	20000	4	26	64 +0,60/+0,10	600	68	19	79	38	90	125	91	184	33	8 +0,5/+1
DSSC M 56	25000	4	28	64 +0,60/+0,10	600	78	19	79	38	90	125	91	184	33	8 +0,5/+1
DSS C M 56x4*	25000	4	28	64 +0,60/+0,10	600	78	19	79	38	90	125	91	184	33	8 +0,5/+1
DSS C M 64	32100	4	36	74 +0,60/0,10	600	90	19	79	38	95	125	91	184	33	10 +0,5/+1
DSS C M 64x4*	32100	4	36	74 +0,60/0,10	600	90	19	79	38	95	125	91	184	33	10 +0,5/+1

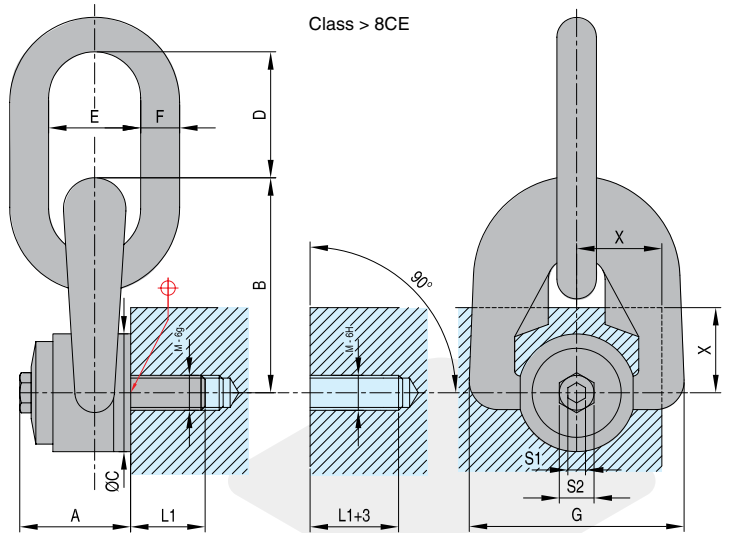
## TSR Triple swivel shackle



\*Non-Standard

- Improvement: The hook does not scrape the tool when in traction at 90°
- Three free articulations
- Very low overhang designed for total safety
- Perfectly symmetrical
- Two ways of tightening: either by open-ended spanner, or by allen key for total quality
- Improved stability with TSR C through centering section
- High tensile

P= max load in Newton  
 SF=safety factor  
 KT= chain classification number  
 TL= recommended tightening torque in NewtonMetre



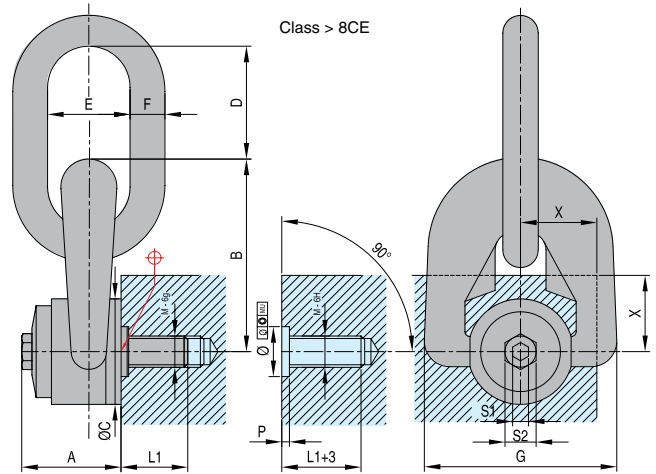
REF	P	S.F.	KT	M/σ	TL/Nm	L1	X	S1	S2	A	B	C	D	E	F	G
TSR M 8	3000	5	4	M 8 (x1,25)	6	14	18	8	16	33	56	30	41	25	10	58
TSR M 10	6000	5	5	M 10 (x1,50)	10	17	18	8	16	33	56	30	41	25	10	58
TSR M 12	10000	5	6	M 12 (x1,75)	15	21	18	8	16	33	56	30	41	25	10	58
TSR M 14*	13000	5	6	M 14 (x2)	30	23	24	8	20	45	76	45	56	37	14	79
TSR M 16	16000	5	7	M 16 (x2)	50	27	24	8	20	45	76	45	56	37	14	79
TSR M 18*	20000	5	7	M 18 (x2,5)	70	27	28	8	20	45	76	45	56	37	14	79
TSR M 20	25000	5	9	M 20 (x2,5)	100	30	28	8	20	45	81	45	56	37	14	79
TSR M 22*	30000	5	9	M 22 (x2,5)	120	33	45	14	24	62	105	60	80	45	20	106
TSR M 24	40000	5	11	M 24 (x3)	160	36	45	14	24	62	105	60	80	45	20	106
TSR M 27*	50000	5	13	M 27 (x3)	160	36	45	14	24	62	105	60	80	45	20	106
TSR M 30	63000	5	14	M 30 (x3,5)	250	45	45	14	24	62	105	60	80	45	20	106
TSR M 36	100000	5	18	M 36 (x4)	320	54	54	19	30	81	140	80	111	71	30	148
TSR M 42	125000	5	20	M 42 (x4,5)	400	63	58	19	30	84	146	80	111	71	30	148
TSR M 48	200000	4	26	M 48 (x5)	600	68	69	19	30	100	178	110	135	90	42	180
TSR M 56	220000	4	36	M 56 (x5,5)	600	78	73	19	30	104	184	110	135	90	42	190

**TSR C** Triple swivel shackle with centering


\*Non standard

- One free articulation
- Very low overhang for increased safety
- Automatic realignment of the ring when in traction in 90°
- Large support surface for a very high resistance
- Improved stability with SEB C through centering section
- High tensile

P= max load in Newton  
 SF=safety factor  
 KT= chain classification number  
 TL= recommended tightening torque in NewtonMetre



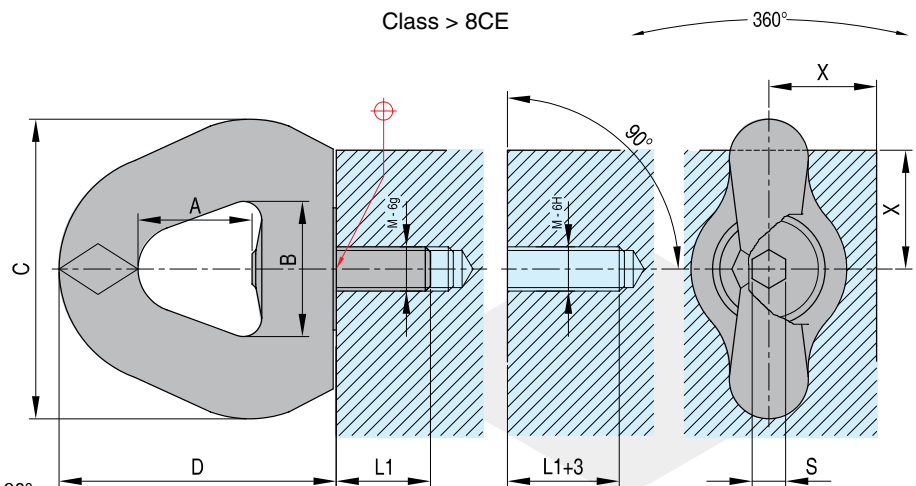
REF	P	S.F.	KT	M/ø	TL/Nm	L1	X	S1	S2	A	B	C	D	E	F	G	P
TSRC M 8	3000	5	4	16 0/+0,25	14	58	16	6	8	33	33	56	30	41	25	10	3 +0,5/+1
TSRC M 10	6000	5	5	20 0/+0,25	17	58	16	10	8	33	33	56	30	41	25	10	3 +0,5/+1
TSRC M 12	10000	5	6	20 0/+0,25	21	58	16	15	8	33	33	56	30	41	25	10	3 +0,5/+1
TSRC M 14	13000	5	6	20 0/+0,25	30	23	24	8	20	45	76	45	56	37	14	79	3 +0,5/+1
TSRC M 16	16000	5	7	20 0/+0,25	50	27	24	8	20	45	76	45	56	37	14	79	3 +0,5/+1
TSRC M 18	20000	5	7	30 0/+0,30	27	79	20	70	8	45	45	76	45	56	37	14	3 +0,5/+1
TSRC M 20	25000	5	9	30 0/+0,30	30	79	20	100	8	45	45	81	45	56	37	14	3 +0,5/+1
TSRC M 22	30000	5	9	30 0/+0,30	33	106	24	120	14	62	62	105	60	80	45	20	4 +0,5/+1
TSRC M 24	40000	5	11	30 0/+0,30	160	36	45	14	24	62	105	60	80	45	20	106	4 +0,5/+1
TSRC M 27	50000	5	13	36 0/+0,30	160	36	45	14	24	62	105	60	80	45	20	106	4 +0,5/+1
TSRC M 30	63000	5	14	36 0/+0,30	45	106	24	250	14	62	62	105	60	80	45	20	4 +0,5/+1
TSRC M 36	100000	5	18	48 +0,10/+0,50	320	54	54	19	30	81	140	80	111	71	30	148	6 +0,5/+1
TSRC M 42	125000	5	20	48 +0,10/+0,50	63	148	30	400	19	84	84	146	80	111	71	30	6 +0,5/+1
TSRC M 48	200000	4	26	64 +0,10/+0,60	600	68	69	19	30	100	178	110	135	90	42	180	8 +0,5/+1
TSRC M 56	220000	4	36	64 +0,10/+0,60	78	190	30	600	19	104	104	184	110	135	90	42	8 +0,5/+1

**SEB** Swivel eye bolt

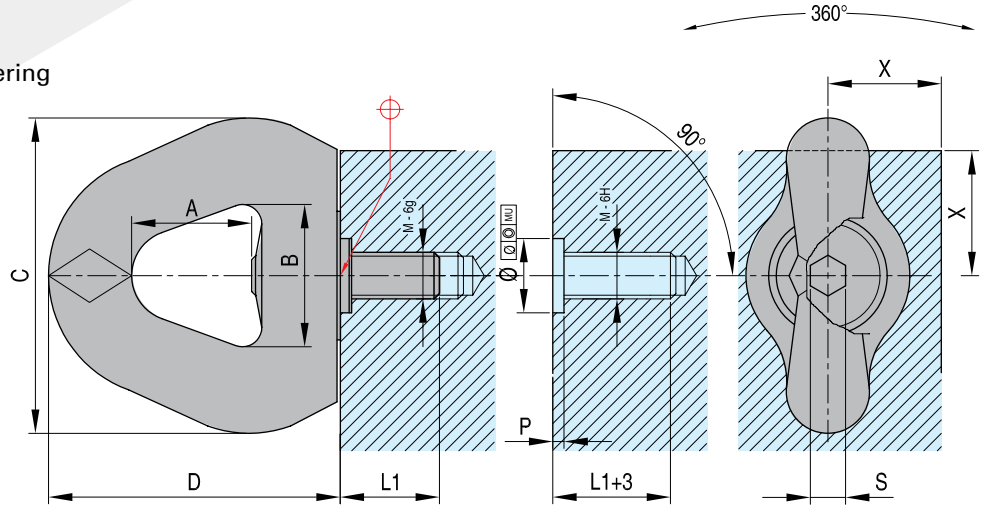

\*Non-Standard

- One free articulation
- Very low overhang for increased safety
- Automatic realignment of the ring when in traction in 90°
- Large support surface for a very high resistance
- Improved stability with SEB C through centering section
- High tensile

P= max load in Newton  
 SF=safety factor  
 KT= chain classification number  
 TL= recommended tightening torque in NewtonMetre



REF	P	S.F.	KT	M/ø	TL/Nm	L1	X	S	A	B	C	D
SEB M 16	16000	5	7	M 16 (x2)	50	27	35	8	38	45	90	78
SEB M 20	25000	5	9	M 20 (x2,5)	100	30	35	8	38	45	90	78
SEB M 24	40000	5	11	M 24 (x3)	160	36	50	14	58	70	134	115
SEB M 30	63000	5	14	M 30 (x3,5)	250	45	50	14	58	70	134	115
SEB M 36	100000	5	18	M 36 (x4)	320	54	70	14	88	94	190	166
SEB M 42	125000	5	20	M 42 (x4,5)	400	63	70	14	88	94	190	166

**SEBC** Swivel eye bolt with centering


REF	P	S.F.	KT	M/σ	TL/Nm	L1	X	S	A	B	C	D	P
<b>SEBC M 16</b>	16000	5	7	20 0/+0,25	50	27	35	8	38	45	90	78	3 +0,5/+1
<b>SEBC M 20</b>	25000	5	9	30 0/+0,25	100	30	35	8	38	45	90	78	3 +0,5/+1
<b>SEBC M 24</b>	40000	5	11	30 0/+0,30	160	36	50	14	58	70	134	115	4 +0,5/+1
<b>SEBC M 30</b>	63000	5	14	36 0/+0,30	250	45	50	14	58	70	134	115	4 +0,5/+1
<b>SEBC M 36</b>	100000	5	18	48 +0,50/+0,10	320	54	70	14	88	94	190	166	6 +0,5/+1
<b>SEBC M 42</b>	125000	5	20	48 +0,50/+0,10	400	63	70	14	88	94	190	166	6 +0,5/+1

- One free articulation
- Very low overhang for increased safety
- Automatic realignment of the ring when in traction in 90°
- Large support surface for a very high resistance
- Improved stability with SEB C through centering section
- High tensile

P= max load in Newton

SF=safety factor

KT= chain classification number

TL= recommended tightening torque in NewtonMetre

**DSP** Double swivel lifting bolt


\*Non standard

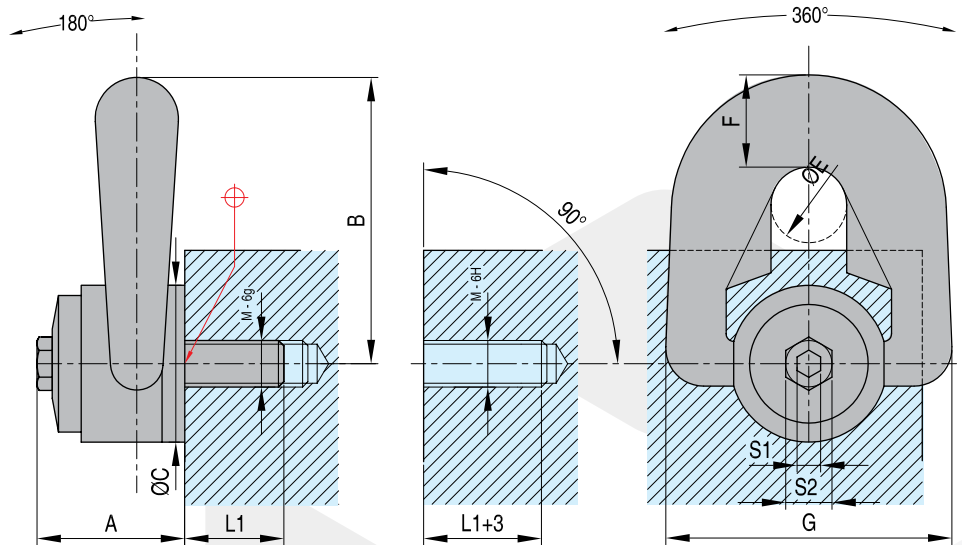
- Two free articulations
- Very low overhang for improved safety
- Automatic realignment of the ring when in traction 90°
- Large support surface for a very high Resistance
- Two ways of tightening: either by open-ended spanner, or by allen key
- Improved stability with DSR C through centering section P= max load in Newton

SF=safety factor

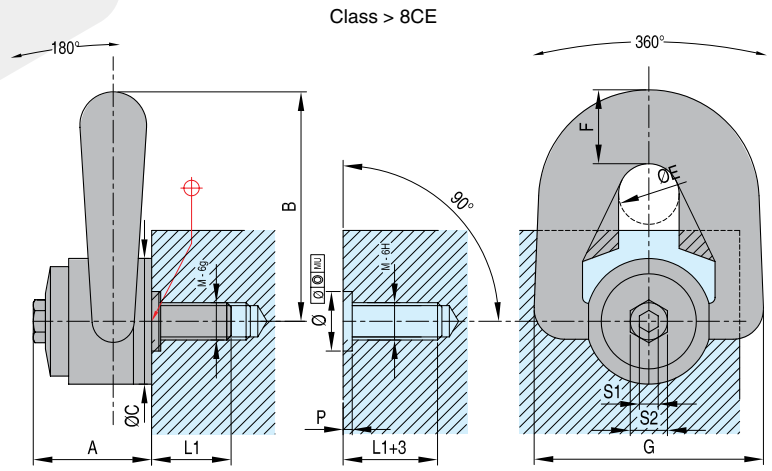
KT= chain classification number

TL= recommended tightening torque in NewtonMetre

Class &gt; 8CE



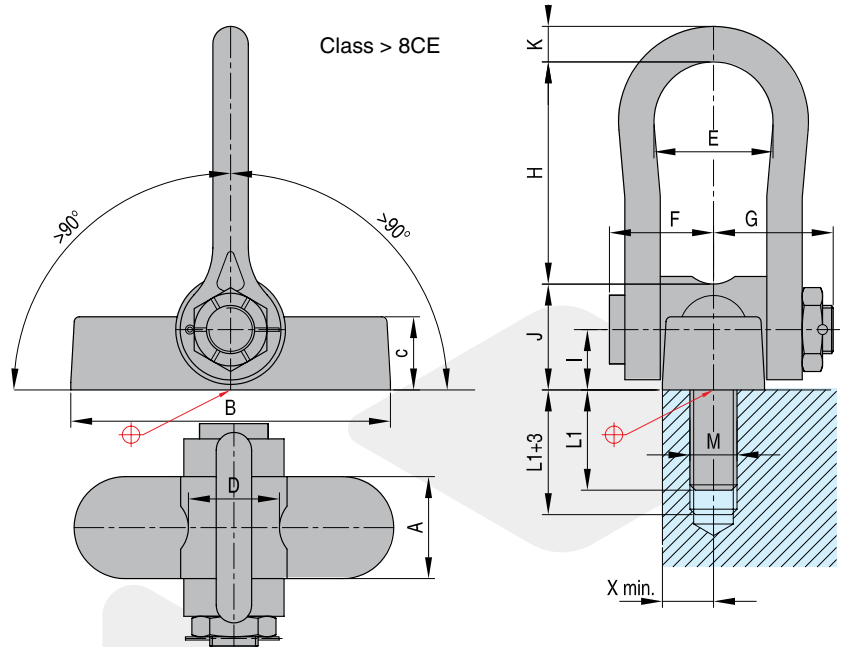
REF	P	S.F.	KT	M/σ	TL/Nm	L1	S1	S2	A	B	C	E	F	G
<b>DSP M 8</b>	3000	5	4	M 8 (x1,25)	6	14	8	16	33	56	30	19	19	58
<b>DSP M 10</b>	6000	5	5	M 10 (x1,50)	10	17	8	16	33	56	30	19	19	58
<b>DSP M 12</b>	10000	5	6	M 12 (x1,75)	15	21	8	16	33	56	30	19	19	58
<b>DSP M 14*</b>	13000	5	6	M 14 (x2)	30	23	8	20	45	76	45	25	27	79
<b>DSP M 16</b>	16000	5	7	M 16 (x2)	50	27	8	20	45	76	45	25	27	79
<b>DSP M 18*</b>	20000	5	7	M 18 (x2,5)	70	27	8	20	45	76	45	25	27	79
<b>DSP M 20</b>	25000	5	7	M 20 (x2,5)	100	30	8	20	45	81	45	25	27	79

**DSPC** Double swivel lifting bolt with centering


REF	P	S.F.	KT	M/g	TL/Nm	L1	S1	S2	A	B	C	E	F	G	P
<b>DSPC M 8</b>	3000	5	4	16 0/+0,25	6	14	8	16	33	56	30	19	19	58	3 +0,5/1
<b>DSPC M 10</b>	6000	5	5	20 0/+0,25	10	17	8	16	33	56	30	19	19	58	3 +0,5/1
<b>DSPC M 12</b>	10000	5	6	20 0/+0,25	15	21	8	16	33	56	30	19	19	58	3 +0,5/1
<b>DSPC M 14</b>	13000	5	6	20 0/+0,25	30	23	8	20	45	76	45	25	27	79	3 +0,5/1
<b>DSPC M 16</b>	16000	5	7	20 0/+0,25	50	27	8	20	45	76	45	25	27	79	3 +0,5/1
<b>DSPC M 18</b>	20000	5	7	30 0/+0,30	70	27	8	20	45	76	45	25	27	79	3 +0,5/1
<b>DSPC M 20</b>	25000	5	7	30 0/+0,30	100	30	8	20	45	81	45	25	27	79	3 +0,5/1

- Two free articulations
- Very low overhang for improved safety
- Automatic realignment of the ring when in traction 90°
- Large support surface for a very high Resistance
- Two ways of tightening: either by open-ended spanner, or by allen key
- Improved stability with DSR C through centering section

P= max load in Newton  
 SF=safety factor  
 KT= chain classification number  
 TL= recommended tightening torque in NewtonMetre

**CSS** Central safety shackle for dispose on press


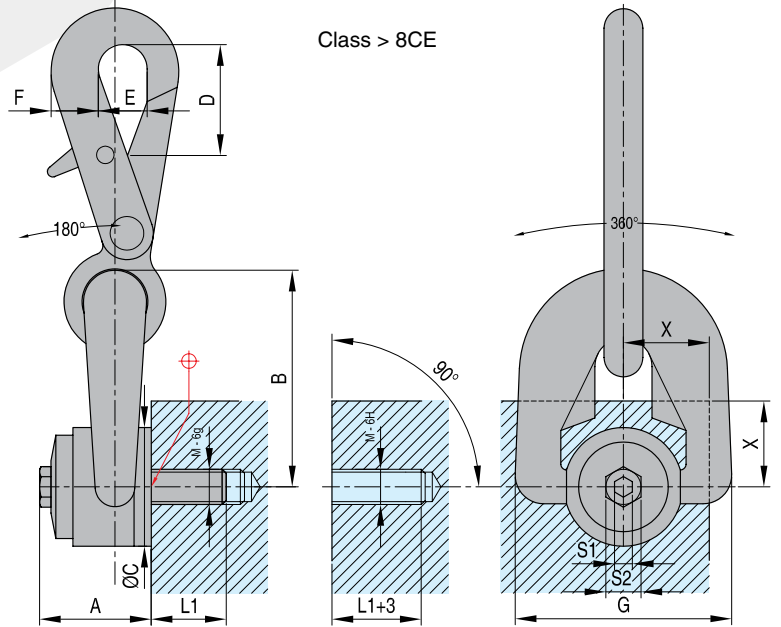
Indicative table for fastening with socket head screws DIN 912-12.9

Head mm	Ø mm	Height mm	* mm	WLL Max. daN	N.m.
M 36	54	36	54	9600	600
M 30	45	30	45	6600	420
M 24	36	24	36	4100	200
M 20	30	20	30	2800	150

\* Minimum effective thread length

REF	X	A	B	C	D	E	F	G	H	I	J	K	Kg
<b>CSS</b>	40 (mini)	80	330	50	62	90	88	98	132	38	76	41	17

"A compact, lightweight solution for removing the mold from the press

**DSH** Double swivel hook


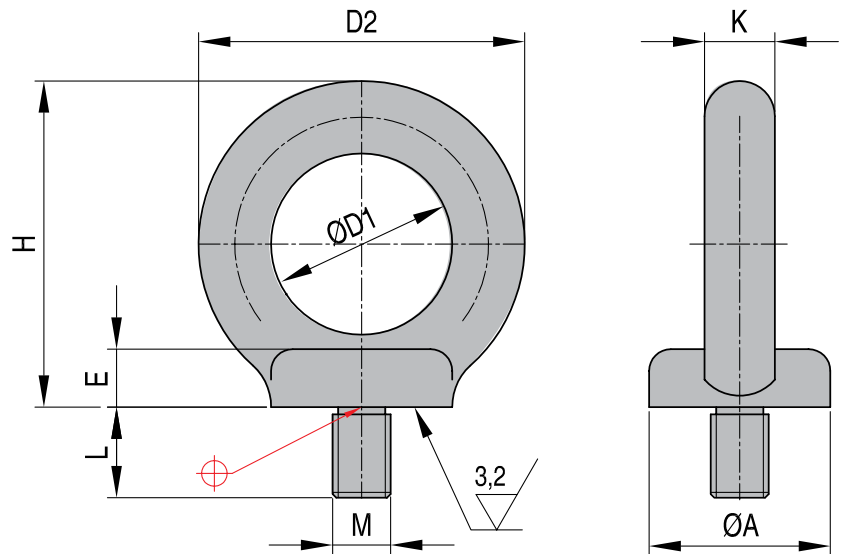
Class &gt; 8CE

REF	A	B	C	D	E	F	G	L1	M/σ	TL/Nm	Kg	S1	S2	P	S.F.
<b>DSH M8</b>	33	56	30	44	32	23	58	14	M8 (x1,25)	6	0,8	8	16	0,3	5
<b>DSH M10</b>	33	56	30	44	32	23	58	17	M10 (x1,50)	10	0,8	8	16	0,6	5
<b>DSH M12</b>	33	56	30	44	32	23	58	21	M12 (x1,75)	15	0,8	8	16	1,0	5
<b>DSH M14*</b>	45	76	45	58	29	29	79	23	M14 (x2)	30	1,9	8	20	1,3	5
<b>DSH M16</b>	45	76	45	58	29	29	79	27	M16 (x2)	50	2,0	8	20	1,6	5
<b>DSH M18*</b>	45	76	45	58	29	29	79	27	M18 (x2,5)	70	2,0	8	20	2,0	5
<b>DSH M20</b>	45	81	45	58	29	29	79	30	M20 (x2,5)	100	2,0	8	20	2,5	5

P= max load in TO  
 SF=safety factor  
 KT= chain classification number  
 TL= recommended tightening torque in NewtonMetre

**RM** Eyebolts

1.7131 60 HRC



REF	A	D1	D2	L	H	(N)	K	M	REF	A	D1	D2	L	H	(N)	K	M
<b>RM 8</b>	20	20	36	13,0	36	1400	8	M8 x 1,25	<b>RM 20</b>	40	40	72	30,0	71	12000	16	M20 x 2,50
<b>RM 10</b>	25	25	45	17,0	45	2300	10	M10 x 1,50	<b>RM 22</b>	45	45	92	34,0	90	15000	18	M22 x 2,50
<b>RM 12</b>	30	30	54	20,5	53	3400	12	M12 x 1,75	<b>RM 24</b>	50	50	90	36,0	90	18000	20	M24 x 3,00
<b>RM 14</b>	35	35	63	27,0	62	4900	14	M14 x 2,00	<b>RM 27</b>	50	50	90	36,0	90	18000	20	M27 x 3,00
<b>RM 16</b>	35	35	63	27,0	62	7000	14	M16 x 2,00	<b>RM 30</b>	65	60	108	45,0	109	36000	24	M30 x 3,50
<b>RM 18</b>	40	40	72	30,0	71	9000	16	M18 x 2,50	<b>RM 36</b>	75	70	126	54,0	128	51000	28	M36 x 4,00

**AT**  
 P: 0800 301 060  
 F: 0800 401 020  
 dme\_oesterreich@milacron.com

**CZ**  
 P: 800 142 451 | +420 572 151 754  
 F: 800 142 450 | +420 571 611 996  
 dme\_cz@milacron.com

**FR**  
 P: +33 1 49 93 92 23  
 F: +33 1 49 93 92 22  
 dme\_france@milacron.com

**NL**  
 P: +31 (0) 20 654 5571  
 F: +31 (0) 20 654 5572  
 dme\_benelux@milacron.com

**SK**  
 P: 0800 142 451 | +420 572 151 754  
 F: 0800 142 450 | +420 571 611 996  
 dme\_cz@milacron.com

**BE**  
 P: +32 (0) 15 28 87 30  
 F: +32 (0) 15 40 51 17  
 dme\_benelux@milacron.com

**DE**  
 P: 0800 664 82 50 | +49 (0) 2351 437 0  
 F: 0800 664 82 51 | +49 (0) 2351 437 220  
 dme\_normalien@milacron.com

**HU**  
 P: 0680 205 00 | +32 15 28 87 30  
 F: +32 15 40 51 17  
 dme\_hungary@milacron.com

**PL**  
 P: +800 331 1312 | +32 15 21 50 92  
 F: +800 331 1313 | +32 15 40 51 92  
 dme\_polska@milacron.com

**UK**  
 P: +44 2071 3300 37  
 F: +44 2071 3300 36  
 dme\_uk@milacron.com

**CH**  
 P: +41 0848 567 364  
 F: +41 0848 567 365  
 dme\_schweiz@milacron.com

**ES**  
 P: 900 900 342  
 F: 900 900 343  
 dme\_iberia@milacron.com

**IT**  
 P: 800 089 734  
 F: 800 089 735  
 dme\_italy@milacron.com

**PT**  
 P: 800 207 900  
 F: 800 207 901  
 dme\_iberia@milacron.com

**Other Countries**  
 P: +32 15 28 87 30  
 F: +32 15 40 51 17  
 dme\_export@milacron.com